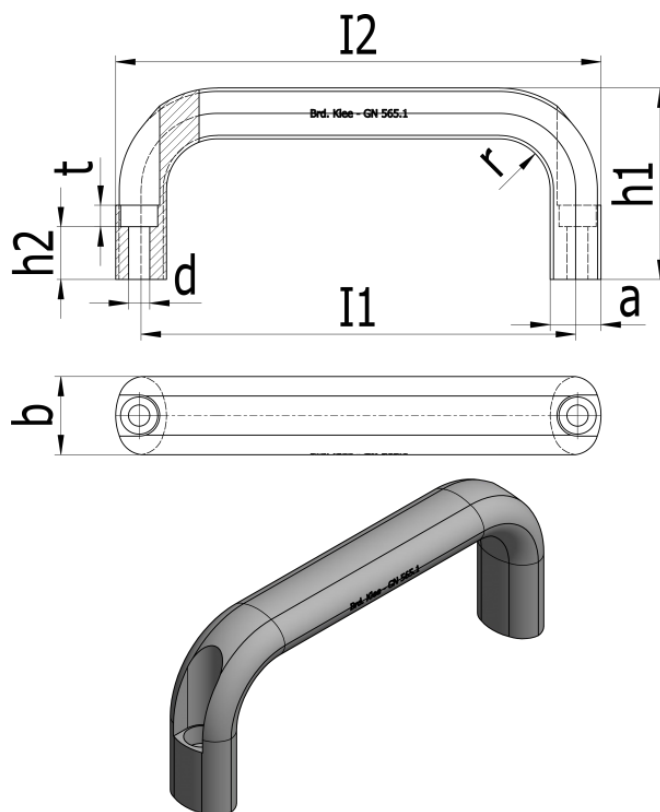


Article number: 20565120112SW

Description: E+G U-handle GN 565.1-20-112-SW

Measures



$a = 13$

$b = 20$

$d = 5.4$

$h_1 = 49$

$h_2 = 13.5$

$I_1 = 112$

$I_2 = 124$

$r = 13$

$T_{min} = 5.5$

Weight in (g) = 97